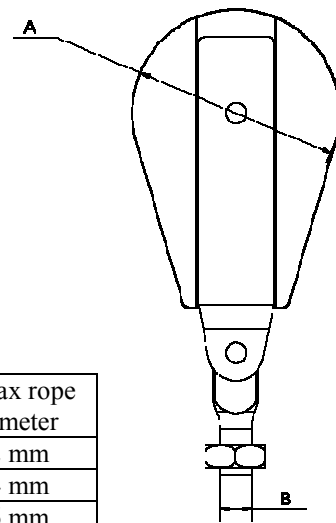




MAST FOOT PULLEYS

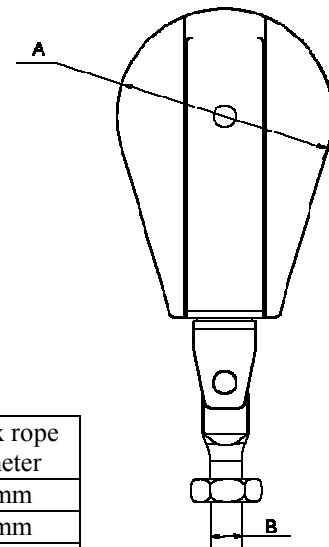
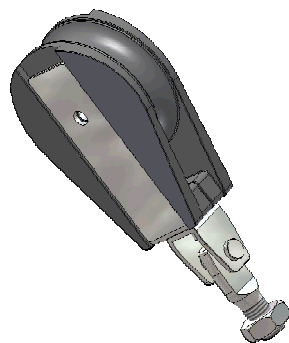
Z.Diffusion
 10 av Louis Lumière
 Z.I de Périgny
 17184 Périgny France
 www.z-spars.com

Mast foot pulley



Reference	A	B	Breaking load	Working load	Ø max rope diameter
261	45 mm	M8	1100Kg	550Kg	12 mm
275	60 mm	M10	1800Kg	900Kg	14 mm
288	80 mm	M10	2600Kg	1300Kg	16 mm

Mast foot pulley with shackle



Reference	A	B	Breaking load	Working load	Ø max rope diameter
300	45 mm	M8	1100Kg	550Kg	12 mm
301	60 mm	M10	1800Kg	900Kg	14 mm
302	80 mm	M10	2600Kg	1300Kg	16 mm